

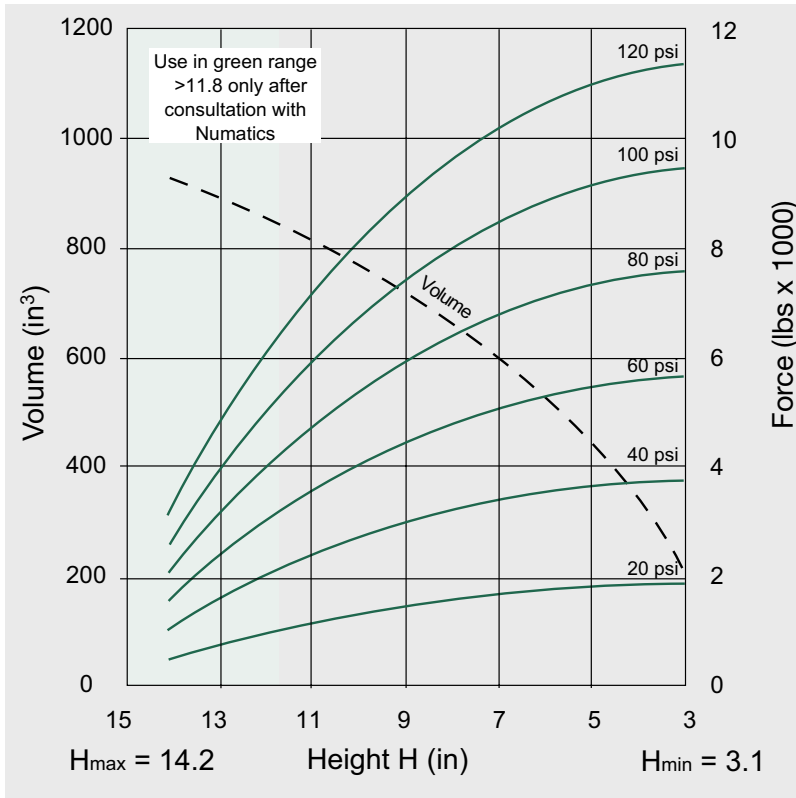


Air Bellows Series

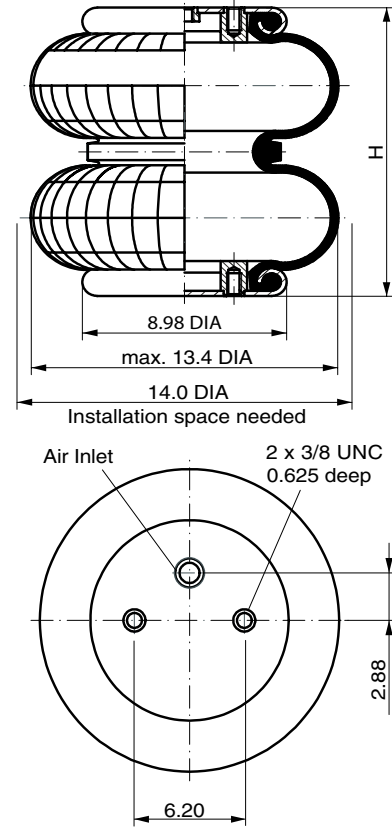
NUMATICS®

Numatics Double Convoluted Air Bellows

ASND51-8-1



Force-Height Diagram



TECHNICAL DATA

Min. Pressure	0 PSI
Return Force to Min. Height	≤ 67 lbs
Overall Weight with Clamped Plates	11.7 lbs

Pneumatic Application – Static Characteristic Values

Force F (lbs)	Pressure p (psi)	20	40	60	80	100	120	Vol (in ³)
Height H (in)	11	1190	2380	3580	4770	5960	7150	823
	9	1480	2960	4440	5920	7400	8890	726
	7	1690	3380	5070	6770	8460	10150	595
	5	1840	3670	5510	7340	9180	11020	431

ORDER DATA

Type	Model Number
With Clamped Plates	
3/4 NPTF Air Inlet	ASND51-8-1
1/4 NPTF Air Inlet	ASND51-8-1-2
2.88 inch excentrical	

Additional types on request

Installation Instruction - Torque rating
 Mounting holes - 3/8" = 15-20 lb-ft
 Air Inlet 3/4" NPTF = 40-50 lb-ft
 Air Inlet 1/4" NPTF = 12-15 lb-ft