

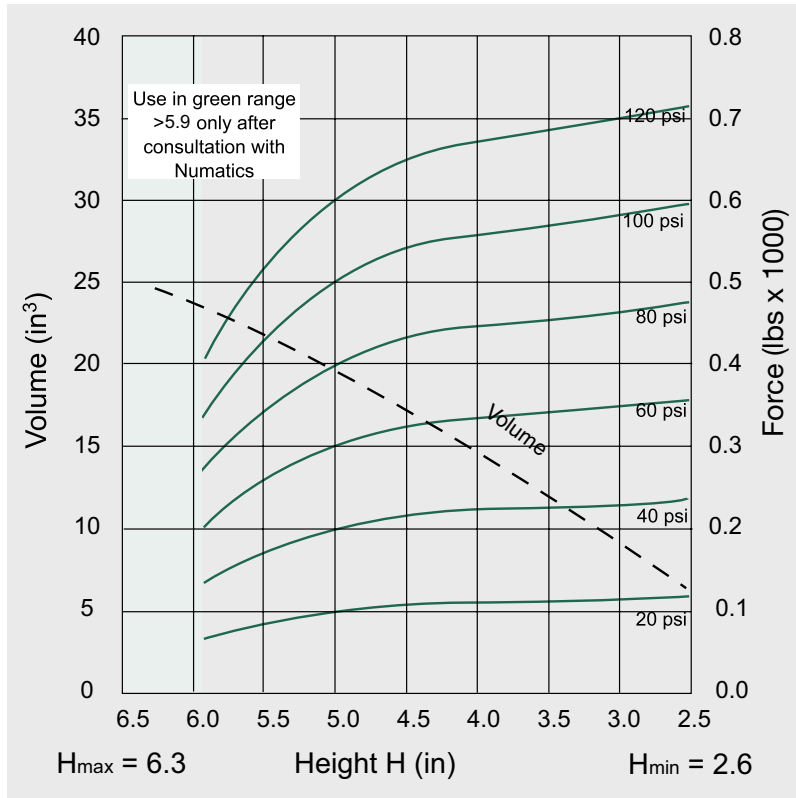


Air Bellows Series

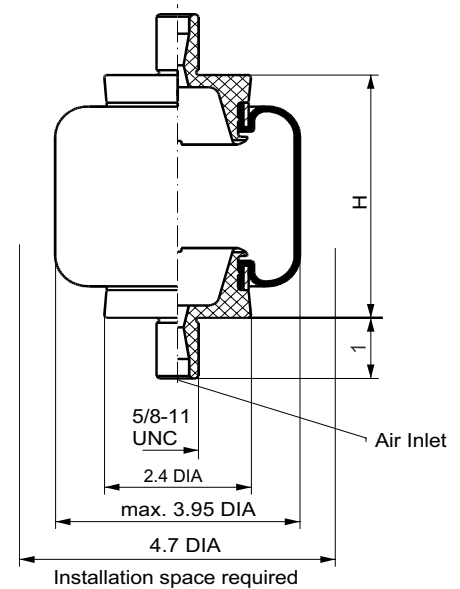
NUMATICS®

Numatics Sleeve Type Air Bellows

ASNC6-3-1



Force-Height Diagram



TECHNICAL DATA

Min. Pressure	5 PSI
Return Force to Min. Height	≤ 34 lbs
Overall Weight with Clamped Plates	0.9 lbs

Pneumatic Application – Static Characteristic Values

Force F (lbs)	Pressure p (psi)	20	40	60	80	100	120	Vol (in ³)
3	130	270	400	540	670	800	10	
3.5	130	260	400	530	660	790	13	
4	130	260	390	520	650	780	16	
4.5	120	240	360	480	500	720	19	
5	100	210	310	420	520	630	23	
5.5	80	160	240	320	400	480	25	

ORDER DATA

Type	Model Number
With 1/8" NPTF Air Inlet - Brass Stud at both ends	ASNC6-3-1

Installation Instruction
 5/8-11 UNC = 8-10 lb-ft
 1/8 NPTF = Handtight plus one turn