

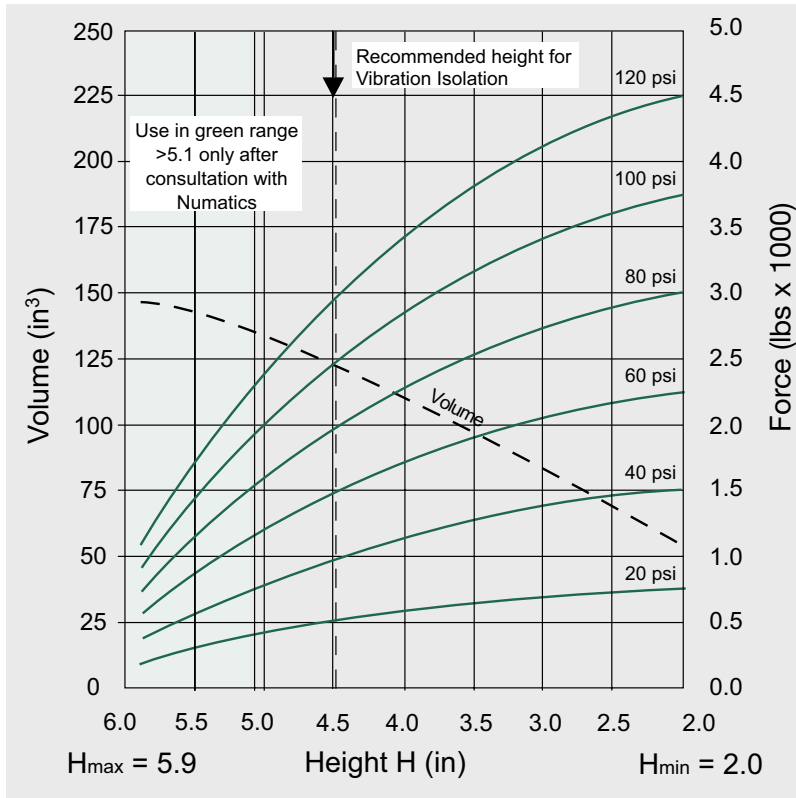


Air Bellows Series

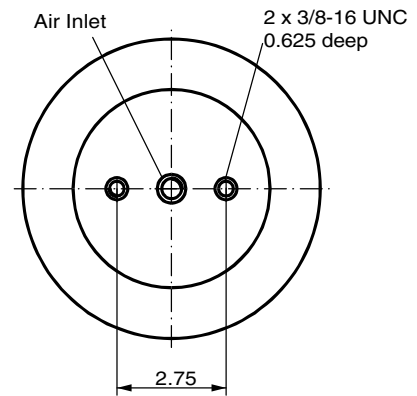
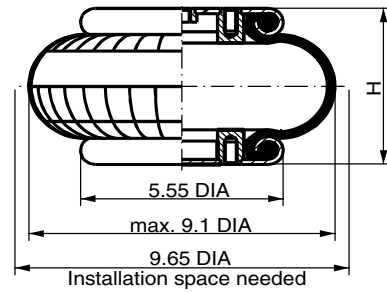
NUMATICS®

Numatics Single Convolute Air Bellows

ASNS18-4-1



Force-Height Diagram



TECHNICAL DATA

Min. Pressure	0 PSI
Return Force to Min. Height	≤ 45 lbs
Overall Weight with Clamped Plates	4.2 lbs

Vibration Isolation – Dynamic Characteristic Values

Design Height H: Recommended 4.5 Inch, Minimum 3.9 Inch

Pressure p (psi)	40	60	80	100	120	Vol (in³)
Force (Load) (lbs)	970	1450	1940	2420	2910	
Spring Rate (lbs/in)	693	1004	1316	1558	1866	123
Natural Frequency (Hz)	2.7	2.6	2.6	2.6	2.5	

Pneumatic Application – Static Characteristic Values

Pressure p (psi)	20	40	60	80	100	120	Vol (in³)
Force F (lbs)							
Height H (in)	5	390	790	1180	1580	1970	2360
	4.5	480	970	1450	1940	2420	2910
	4	570	1130	1700	2270	2830	3400
	3.5	630	1260	1890	2530	3160	3790
	3	690	1380	2060	2750	3440	4130
	2.5	720	1450	2170	2890	3620	4340

ORDER DATA

Type	Model Number
With clamped plates	
3/4 NPTF air inlet	ASNS18-4-1
1/4 NPTF air inlet	ASNS18-4-1-2
Additional types on request	

Installation Instructions - Torque rating
 Mounting Holes 3/8" = 15-20 lb-ft
 Air Inlet 3/4" NPTF = 40-50 lb-ft
 Air Inlet 1/4" NPTF = 12-15 lb-ft